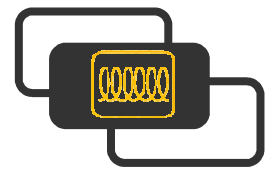
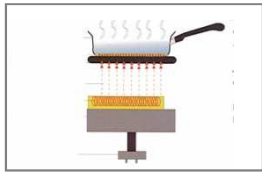


BIO LINE RANGE INDUCTION PLANCHA

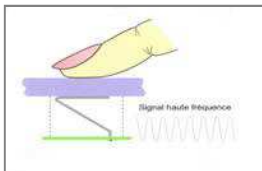


BGIC 3000
BGIC 3600
New BGIC 3600 C



INDUCTION ADVANTAGES

More economical, more powerful, more secure, more precise, more comfortable, safer, easier to clean



TOUCH PAD

The electronic pad detects the user's finger. It's completely water proof.



COOKING SURFACE

Multi layer Composite material (stainless steel AISI 436 + aluminium) recommended for food products.



AVAILABLE POWER

Automatic management of the power according to the pre-selected choice. Maximum available power: 3600 watts.



INSTALLATION

The plancha is delivered « ready for use ». The unit should not be installed above means heat (such as oven...).

BIO LINE RANGE

Grill Induction

- **Pressed stainless steel outer casing (AISI 304) incorporating a grill surface in a multi layer composite material** (stainless steel for food product F17 Mnb, AISI 406 - conform to standard NFA36-711),
- **Generator coil:** 280 mm diameter,
- **Control panel for BGIC 3600 C (7 touches pad):** On/off, « P » touch, +/- with display, 3 « P » programmable and memorized touches; to see below
- **Control panel for BGIC 3600 (4 touches pad):** On/Off + 3 touches for pre-managed functions :
 - Delicate cooking as sea-food,....,
 - Medium Cooking as fishes, vegetables, white meats, bacon, eggs...
 - Efficient Cooking as red meats, sausages....,
- **Power supply :** 230V +/-10% (monophase) AC 50Hz +/-2% or 60 Hz +/-2%
- electrical cable of 140cm,
- **Washable filter supplied with the product,**
- Equipped with 4 adjustable feet
- **Net weight :** 18 kg with carton packaging
- **Standards :** complies with EN 60335-2-36 (European standard for safety of electrical appliances), EN55011 et EN 55014-2 (CEM).

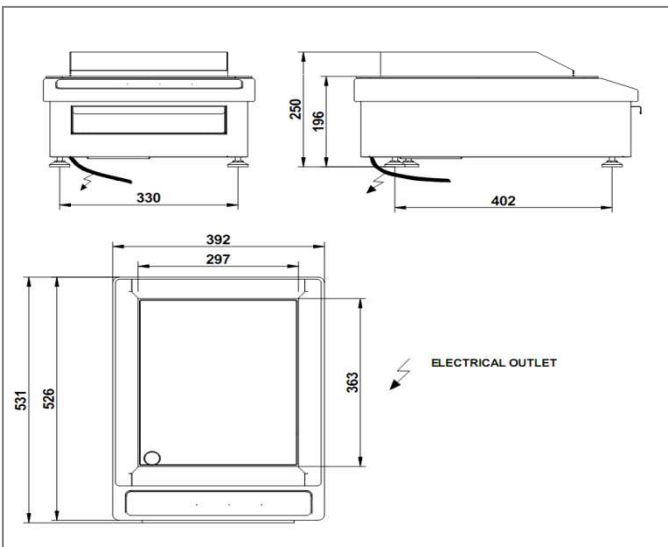


Technical specifications :

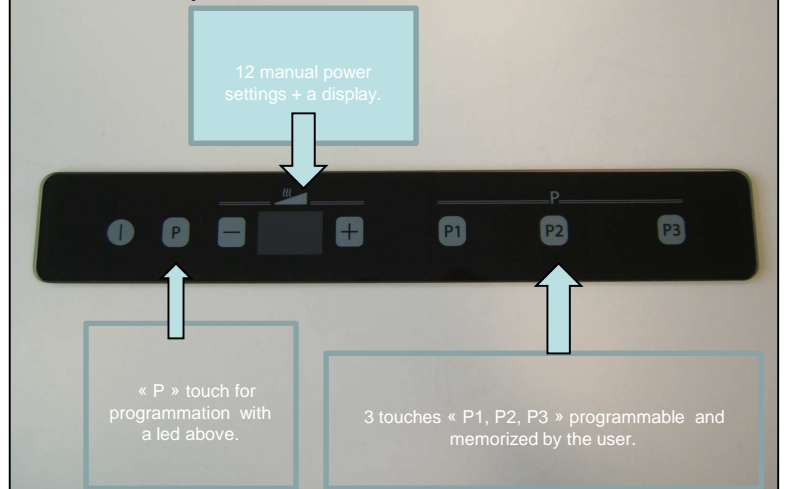
	Power	Amp load
BGIC 3000	3000 W	12 A
BGIC 3600	3600 W	16 A

Palettized by 12 units
 Pallet dimensions (mm): width 1000 x depth 1260 x height 1075
 Product dimension (mm): width 392 x depth 531 x height 196 (with removable grease preventer h=250mm)
 Packaged product dimension (mm): width 495 x depth 620 x height 375.

- Delivered with :
- . Extractive Drawer for juice: 1 .5 liter capacity
 - . Cleaning spatula
 - . Utility tong
 - . Polypropylene measuring jug
 - . Brochure.



New panel of the BGIC 3600 C



ADVENTYS PRO

38, rue du 8 Mai 1945 - F-21250 SEURRE - France

Tel : 33 (0) 3 80 204 615 - Fax : 33 (0) 3 80 204 219 - Site Web : www.adventys.com - mail : adventys@adventys.com
 S.A.S. au Capital de 214.000 € - RCS Beaune 513 510 412 - TVA FR 43513510412