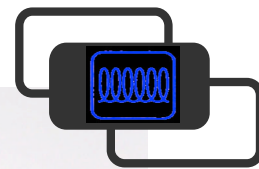
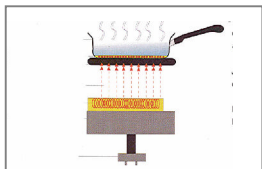


# GAMME ACCES LINE INDUCTION

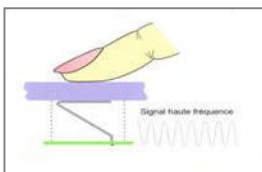


## ARIC 2200



### INDUCTION ADVANTAGES

More economical, more powerful, more secure, more precise, more comfortable, safer, easier to clean.



### TOUCH PAD

The electronic pad detects the user's finger. It is completely water proof.



### VITROCERAM GLASS

The glass is designed to resist to high temperature.



### AVAILABLE POWER

From 50 watts to 2.200 watts.



### INSTALLATION

The unit should not be installed above means heat ( such as hotcup board, oven, ...).



- External structure in AISI 304 stainless steel.
- Cooking surface 4 mm thick made of vitroceramic material
- Generator coil : 180mm diameter,
- Control panel: glass touches
- Functions: on/off, manual power setting (+/-) with display.
- Power supply: 210V-230V ( 1 ph) AC 50-60Hz,
- Weight (net): 6 kg – 7 kg (gross)
- Package dimensions (mm):. width 370 x depth 400 x height 110 ,
- Standards: complies with EN 60335-2-36 (European standard for safety of electrical appliances), IP25 (protection rating), EN55011 et EN 55014-2 (ECM).



## POWER SETTINGS

From position 1 ( 50 watts) to position 9 (2.200 watts)

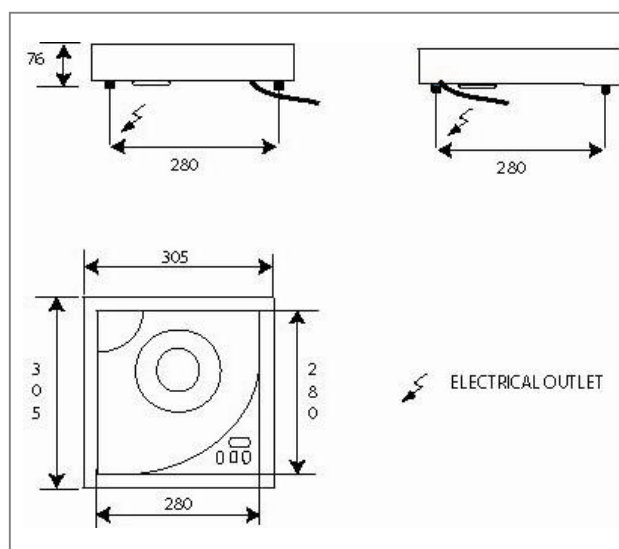
	Power	Amp. load
ARIC 2200	2200 Watts	10 A

## TECHNICAL SPECIFICATIONS

The product is pallettized by 48 items.

Pallet dimension by 48 (mm): width 1000 x depth 1260 x height 1025

The product includes as standard a brochure, a 1400 mm power cord, a washable filter.



## ADVENTYS

Route de Pagny - F-21250 SEURRE - France

Tel : 33 (0) 3 80 204 615 - Fax : 33 (0) 3 80 204 219 - Site Web : [www.adventys.com](http://www.adventys.com) - mail : [adventys@adventys.com](mailto:adventys@adventys.com)  
 S.A.S au Capital de 154.000 € - Code APE : 521B - RCS Beaune 424 076 594 - TVA FR 07424076594